



Хвостовики B400 с соединением S Shanks B400 with S Connection

B400.4

Хвостовики по ГОСТ 25827-93 исп. 2 (DIN 69871/A)
Shanks DIN 69871/A

Код / Code	Рис./ Pic.	K	d	D	L	L ₁	L ₂	Kr/Kg
B400.4.40.035.S25	2	40	25	50	35	18	122	1,00
B400.4.40.100.S25	2	40	25	50	100	18	186	2,00
B400.4.50.075.S25	2	50	25	50	75	18	195	3,30
B400.4.50.150.S25	2	50	25	50	150	18	270	4,30
B400.4.40.050.S32	1	40	32	63	50	20	139	1,40
B400.4.40.120.S32	1	40	32	63	120	20	208	3,10
B400.4.50.085.S32	2	50	32	63	85	20	207	4,00
B400.4.50.160.S32	2	50	32	63	160	20	282	5,90
B400.4.40.050.S40	1	40	40	80	50	24	143	1,80
B400.4.50.090.S40	2	50	40	80	90	24	216	5,30
B400.4.50.170.S40	2	50	40	80	170	24	296	8,40
B400.4.50.250.S40	2	50	40	80	250	24	376	11,40
B400.4.50.050.S48	2	50	48	80	50	30	182	4,00
B400.4.50.100.S48	2	50	48	80	100	30	232	5,80
B400.4.50.150.S48	2	50	48	80	150	30	282	7,70
B400.4.50.200.S48	2	50	48	80	200	30	332	9,50
B400.4.50.050.S60	1	50	60	92	50	32	184	4,40



Рис. 1
Pic. 1

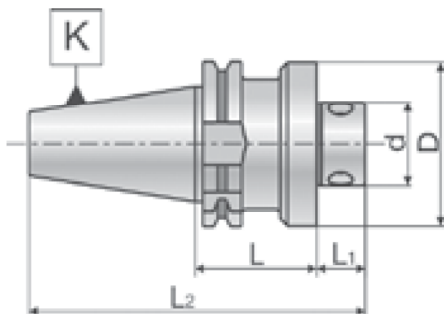


Рис. 2
Pic. 2

