





HYDRO-MICRON

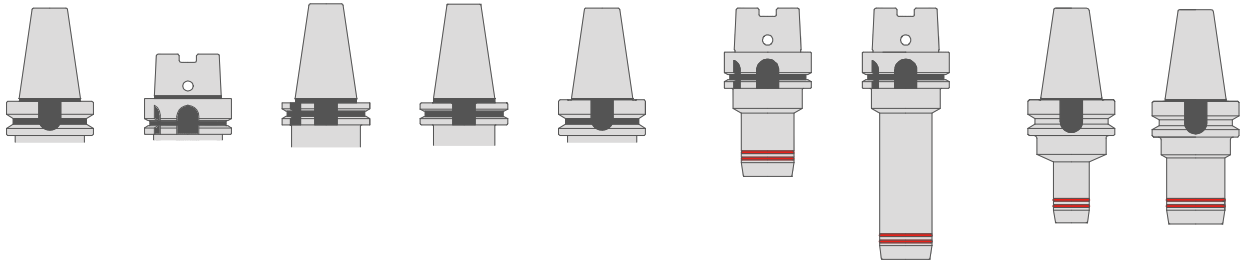
The standard. Various use. Optimal performance.



HYDRO-MICRON

= A wide range of about 250 products.

Various tapers (BT, HSK, SK, CAT) and various lengths and inner diameters.

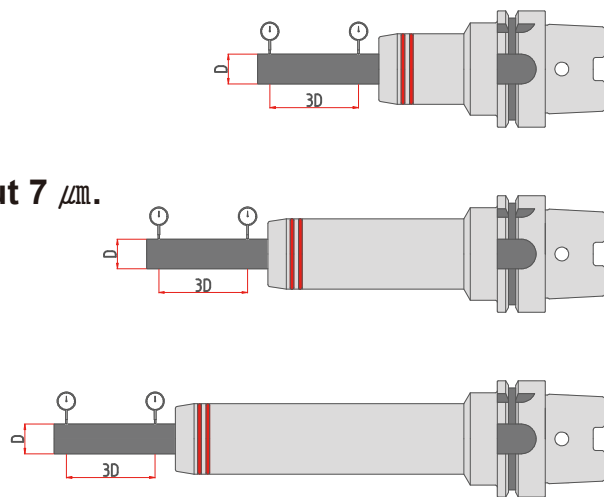


= Precision and Run-out Guaranteed.

Standard run-out 3 μm .

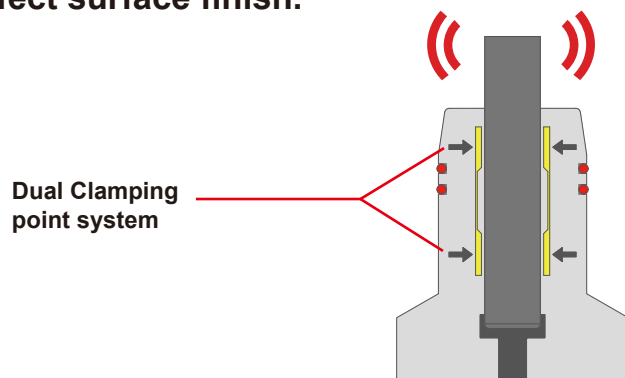
ID25/ ID32 run-out 5 μm .

Length 150mm or more, run-out 7 μm .



= Vibration damping effect.

Long tool life and Perfect surface finish.

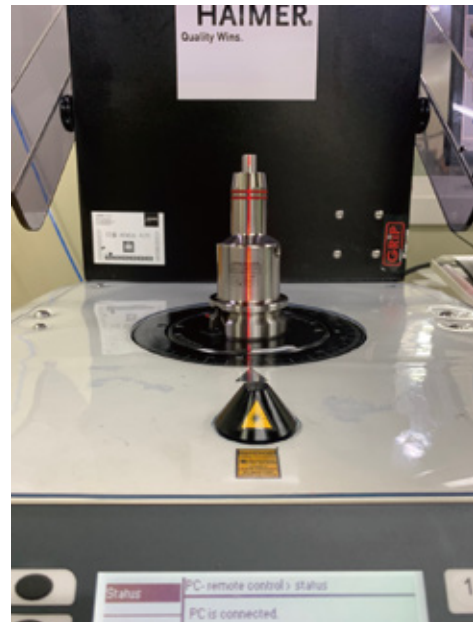


≡ Suitable for semi finishing and finishing work.

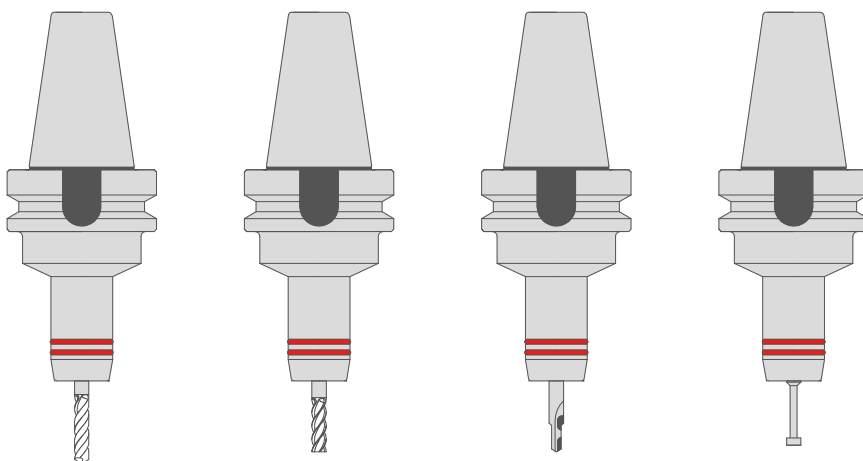


≡ All item Fine balancing.

All item G2.5 grade balancing quality



**≡ Reamer, Tap, Drill, Ball end mill, End mill, PCD tool, etc.
Many kinds of work possible.**



≡ Dimensions(mm)

HSK-A40		D1	D2	D3	D4	L1	L2	L3	L4	Clamping wrench	Adjustment bolt (wrench)	Kg.
HSK-A40/GMR6/70	●	6	23	26	33.5	70	37.5	27.5	36	TR-4.0	M5x0.8(T-2.5)	0.5
HSK-A40/GMR8/70	●	8	25	28	33.5	70	37.5	27.5	36	TR-4.0	M6x1.0(T-3.0)	0.5
HSK-A40/GMR10/75	●	10	27	30	33.5	75	42.5	32.5	42	TR-4.0	M6x1.0(T-3.0)	0.6
HSK-A40/GMR12/80	●	12	29	32	33.5	80	47.5	37.5	48	TR-4.0	M6x1.0(T-3.0)	0.6

HSK-A50												
HSK-A50/GMR6/70	●	6	23	26	40	70	37.5	27.5	28	TR-4.0	M5x0.8(T-2.5)	0.7
HSK-A50/GMR8/70	●	8	25	28	40	70	37.5	27.5	28	TR-4.0	M6x1.0(T-3.0)	0.7
HSK-A50/GMR10/75	●	10	27	30	40	75	42.5	32.5	34	TR-4.0	M6x1.0(T-3.0)	0.7
HSK-A50/GMR12/85	●	12	29	32	40	85	47.5	37.5	44	TR-4.0	M6x1.0(T-3.0)	0.8
HSK-A50/GMR14/85	●	14	31	34	40	85	47.5	37.5	44	TR-4.0	M6x1.0(T-3.0)	0.8
HSK-A50/GMR16/90	●	16	35	38	41.5	90	52.5	42.5	49	TR-4.0	M6x1.0(T-3.0)	0.9
HSK-A50/GMR18/90	●	18	37	40	41.5	90	52.5	42.5	49	TR-4.0	M6x1.0(T-3.0)	0.9
HSK-A50/GMR20/90	●	20	39	41.5	41.5	90	52.5	42.5	64	TR-4.0	M6x1.0(T-3.0)	1.0

HSK-A63												
HSK-A63/GMR6/70	●	6	23	26	50	70	37.5	27.5	24	TR-4.0	M5x0.8(T-2.5)	1.0
HSK-A63/GMR8/70	●	8	25	28	50	70	37.5	27.5	24	TR-4.0	M6x1.0(T-3.0)	1.0
HSK-A63/GMR10/80	●	10	27	30	50	80	42.5	32.5	35	TR-4.0	M8x1.0(T-4.0)	1.1
HSK-A63/GMR12/85	●	12	29	32	50	85	47.5	37.5	40	TR-4.0	M8x1.0(T-4.0)	1.2
HSK-A63/GMR14/85	●	14	31	34	50	85	47.5	37.5	40	TR-4.0	M8x1.0(T-4.0)	1.2
HSK-A63/GMR16/90	●	16	35	38	50	90	52.5	42.5	46	TR-4.0	M8x1.0(T-4.0)	1.3
HSK-A63/GMR18/90	●	18	37	40	50	90	52.5	42.5	47	TR-4.0	M8x1.0(T-4.0)	1.3
HSK-A63/GMR20/90	●	20	39	42	50	90	52.5	42.5	48	TR-4.0	M8x1.0(T-4.0)	1.3
HSK-A63/GMR25/120	●	25	46	50	-	120	61	51	-	TR-5.0	M16x1.0(T-6.0)	2.3
HSK-A63/GMR32/125	●	32	56	60	52.5	125	65	55	-	TR-5.0	M16x1.0(T-6.0)	2.8

Availability: ● Stock ▲ Short lead time ○ Made to order

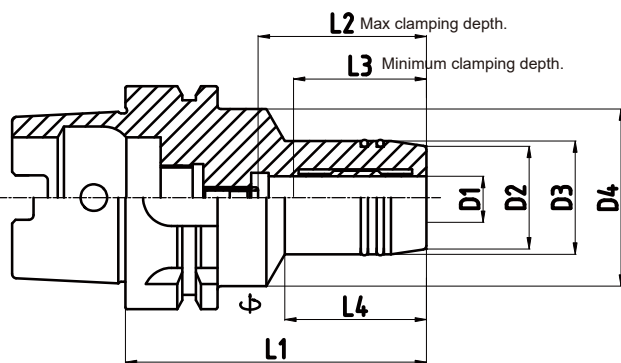
≡ Dimensions(mm)

HSK-A100		D1	D2	D3	D4	L1	L2	L3	L4	Clamping wrench	Adjustment bolt (wrench)	Kg.
HSK-A100/GMR6/75	●	6	23	26	50	75	37.5	27.5	26	TR-4.0	M5x0.8(T-2.5)	2.6
HSK-A100/GMR8/75	●	8	25	28	50	75	37.5	27.5	26	TR-4.0	M6x1.0(T-3.0)	2.7
HSK-A100/GMR10/90	●	10	27	30	50	90	42.5	32.5	42	TR-4.0	M8x1.0(T-4.0)	2.8
HSK-A100/GMR12/95	●	12	29	32	50	95	47.5	37.5	47	TR-4.0	M10x1.0(T-5.0)	2.8
HSK-A100/GMR14/95	●	14	31	34	50	95	47.5	37.5	47	TR-4.0	M10x1.0(T-5.0)	2.8
HSK-A100/GMR16/100	●	16	35	38	50	100	52.5	42.5	53	TR-4.0	M12x1.0(T-6.0)	2.9
HSK-A100/GMR18/100	●	18	37	40	50	100	52.5	42.5	53	TR-4.0	M12x1.0(T-6.0)	3.0
HSK-A100/GMR20/105	●	20	39	42	50	105	52.5	42.5	59	TR-5.0	M16x1.0(T-6.0)	3.0
HSK-A100/GMR25/110	●	25	53	57	63	110	61	51	62	TR-5.0	M16x1.0(T-6.0)	3.7
HSK-A100/GMR32/110	●	32	58	63	75	110	65	55	62	TR-5.0	M12x1.0(T-6.0)	3.9

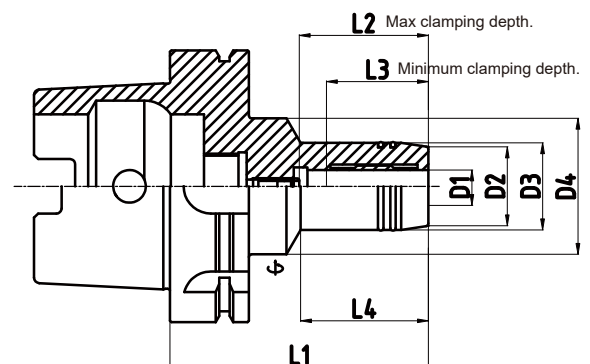
Availability: ● Stock ▲ Short lead time ○ Made to order

- »h6 shank tools must be used.
- »Tool length can be adjusted up to 10mm.
- »T-wrench is must be ordered separately. (GRIP torque wrench is recommended.)
- »Data carrier and Coolant tube as an option.
- »All products center through coolant system.
- »Additional sizes and special designs available on request.

⚠ The minimum tool depth must be observed.



HSK-A40/A50/A63



HSK-A100

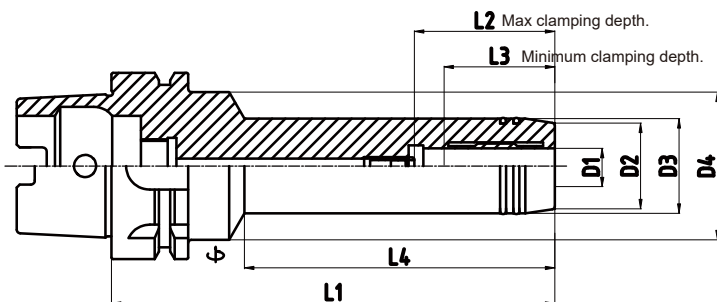
HSK Long Type

Dimensions(mm)

HSK-A63		D1	D2	D3	D4	L1	L2	L3	L4	Clamping wrench	Adjustment bolt (wrench)	Kg.
HSK-A63/GMR6/150	●	6	23	26	50	150	37.5	27.5	103	TR-4.0	M5x0.8(T-2.5)	1.4
HSK-A63/GMR8/150	●	8	25	28	50	150	37.5	27.5	104	TR-4.0	M6x1.0(T-3.0)	1.5
HSK-A63/GMR10/150	●	10	27	30	50	150	42.5	32.5	104	TR-4.0	M8x1.0(T-4.0)	1.6
HSK-A63/GMR12/150	●	12	29	32	50	150	47.5	37.5	105	TR-4.0	M10x1.0(T-5.0)	1.7
HSK-A63/GMR14/150	●	14	31	34	50	150	47.5	37.5	105	TR-4.0	M10x1.0(T-5.0)	1.7
HSK-A63/GMR16/150	●	16	35	38	50	150	52.5	42.5	106	TR-4.0	M12x1.0(T-6.0)	1.8
HSK-A63/GMR18/150	●	18	37	40	50	150	52.5	42.5	107	TR-4.0	M12x1.0(T-6.0)	1.9
HSK-A63/GMR20/150	●	20	39	42	50	150	52.5	42.5	108	TR-5.0	M16x1.0(T-6.0)	2.0

HSK-A63		D1	D2	D3	D4	L1	L2	L3	L4	Clamping wrench	Adjustment bolt (wrench)	Kg.
HSK-A63/GMR6/200	●	6	23	26	50	200	37.5	27.5	153	TR-4.0	M5x0.8(T-2.5)	2.3
HSK-A63/GMR8/200	●	8	25	28	50	200	37.5	27.5	154	TR-4.0	M6x1.0(T-3.0)	2.3
HSK-A63/GMR10/200	●	10	27	30	50	200	42.5	32.5	154	TR-4.0	M8x1.0(T-4.0)	2.4
HSK-A63/GMR12/200	●	12	29	32	50	200	47.5	37.5	155	TR-4.0	M10x1.0(T-5.0)	2.4
HSK-A63/GMR14/200	●	14	31	34	50	200	47.5	37.5	155	TR-4.0	M10x1.0(T-5.0)	2.4
HSK-A63/GMR16/200	●	16	35	38	50	200	52.5	42.5	156	TR-4.0	M12x1.0(T-6.0)	2.4
HSK-A63/GMR18/200	●	18	37	40	50	200	52.5	42.5	157	TR-4.0	M12x1.0(T-6.0)	2.5
HSK-A63/GMR20/200	●	20	39	42	50	200	52.5	42.5	158	TR-5.0	M16x1.0(T-6.0)	2.6

Availability: ● Stock ▲ Short lead time ○ Made to order



HSK-A63/A100

HSK Long Type

Dimensions(mm)

HSK-A100		D1	D2	D3	D4	L1	L2	L3	L4	Clamping wrench	Adjustment bolt (wrench)	Kg.
HSK-A100/GMR6/160	●	6	23	26	50	160	37.5	27.5	104	TR-4.0	M5x0.8(T-2.5)	3.0
HSK-A100/GMR8/160	●	8	25	28	50	160	37.5	27.5	104	TR-4.0	M6x1.0(T-3.0)	3.1
HSK-A100/GMR10/160	●	10	27	30	50	160	42.5	32.5	105	TR-4.0	M8x1.0(T-4.0)	3.1
HSK-A100/GMR12/160	●	12	29	32	50	160	47.5	37.5	105	TR-4.0	M10x1.0(T-5.0)	3.2
HSK-A100/GMR14/160	●	14	31	34	50	160	47.5	37.5	107	TR-4.0	M10x1.0(T-5.0)	3.2
HSK-A100/GMR16/160	●	16	35	38	50	160	52.5	42.5	107	TR-4.0	M12x1.0(T-6.0)	3.4
HSK-A100/GMR18/160	●	18	37	40	50	160	52.5	42.5	108	TR-4.0	M12x1.0(T-6.0)	3.5
HSK-A100/GMR20/160	●	20	39	42	50	160	52.5	42.5	108	TR-5.0	M16x1.0(T-6.0)	3.6
HSK-A100/GMR25/160	●	25	53	57	63	160	61	51	110	TR-5.0	M16x1.0(T-6.0)	4.7
HSK-A100/GMR32/160	●	32	58	63	75	160	65	55	110	TR-5.0	M16x1.0(T-6.0)	5.0

HSK-A100		D1	D2	D3	D4	L1	L2	L3	L4	Clamping wrench	Adjustment bolt (wrench)	Kg.
HSK-A100/GMR6/200	●	6	23	26	50	200	37.5	27.5	144	TR-4.0	M5x0.8(T-2.5)	3.2
HSK-A100/GMR8/200	●	8	25	28	50	200	37.5	27.5	144	TR-4.0	M6x1.0(T-3.0)	3.3
HSK-A100/GMR10/200	●	10	27	30	50	200	42.5	32.5	145	TR-4.0	M8x1.0(T-4.0)	3.3
HSK-A100/GMR12/200	●	12	29	32	50	200	47.5	37.5	145	TR-4.0	M10x1.0(T-5.0)	3.4
HSK-A100/GMR14/200	●	14	31	34	50	200	47.5	37.5	147	TR-4.0	M10x1.0(T-5.0)	3.5
HSK-A100/GMR16/200	●	16	35	38	50	200	52.5	42.5	147	TR-4.0	M12x1.0(T-6.0)	3.8
HSK-A100/GMR18/200	●	18	37	40	50	200	52.5	42.5	148	TR-4.0	M12x1.0(T-6.0)	3.9
HSK-A100/GMR20/200	●	20	39	42	50	200	52.5	42.5	148	TR-5.0	M16x1.0(T-6.0)	4.0
HSK-A100/GMR25/200	●	25	53	57	63	200	61	51	150	TR-5.0	M16x1.0(T-6.0)	5.4
HSK-A100/GMR32/200	●	32	58	63	75	200	65	55	150	TR-5.0	M16x1.0(T-6.0)	6.1

Availability: ● Stock ▲ Short lead time ○ Made to order

- »h6 shank tools must be used.
- »Tool length can be adjusted up to 10mm.
- »T-wrench is must be ordered separately.
(GRIP torque wrench is recommended.)
- »Data carrier and Coolant tube as an option.
- »All products center through coolant system.
- »Additional sizes and special designs available on request.

⚠ The minimum tool depth must be observed.

Dimensions(mm)

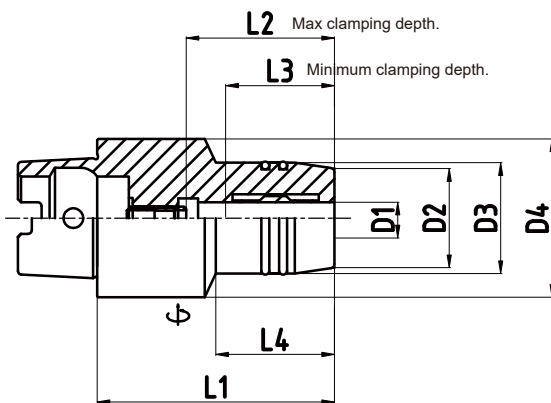
HSK-C40		D1	D2	D3	D4	L1	L2	L3	L4	Clamping wrench	Adjustment bolt (wrench)	Kg.
HSK-C40/GMR6/60	○	6	23	26	40	60	37.5	27.5	35	TR-4.0	M5x0.8(T-2.5)	0.4
HSK-C40/GMR8/60	○	8	25	28	40	60	37.5	27.5	36	TR-4.0	M6x1.0(T-3.0)	0.4
HSK-C40/GMR10/65	○	10	27	30	40	65	42.5	32.5	41	TR-4.0	M6x1.0(T-3.0)	0.5
HSK-C40/GMR12/70	●	12	29	32	40	70	47.5	37.5	47	TR-4.0	M6x1.0(T-3.0)	0.5

HSK-C50		D1	D2	D3	D4	L1	L2	L3	L4	Clamping wrench	Adjustment bolt (wrench)	Kg.
HSK-C50/GMR6/60	○	6	23	26	50	60	37.5	27.5	30	TR-4.0	M5x0.8(T-2.5)	0.7
HSK-C50/GMR8/60	○	8	25	28	50	60	37.5	27.5	30	TR-4.0	M6x1.0(T-3.0)	0.7
HSK-C50/GMR10/65	○	10	27	30	50	65	42.5	32.5	35	TR-4.0	M8x1.0(T-4.0)	0.7
HSK-C50/GMR12/75	●	12	29	32	50	75	47.5	37.5	44	TR-4.0	M10x1.0(T-5.0)	0.8
HSK-C50/GMR14/75	○	14	31	34	50	75	47.5	37.5	46	TR-4.0	M10x1.0(T-5.0)	0.8
HSK-C50/GMR16/80	○	16	35	38	50	80	52.5	42.5	51	TR-4.0	M12x1.0(T-6.0)	0.9
HSK-C50/GMR18/80	○	18	37	40	50	80	52.5	42.5	51	TR-4.0	M12x1.0(T-6.0)	1.0
HSK-C50/GMR20/80	●	20	39	42	50	80	52.5	42.5	52	TR-4.0	M12x1.0(T-6.0)	1.2

Availability: ● Stock ▲ Short lead time ○ Made to order

- »h6 shank tools must be used.
- »Tool length can be adjusted up to 10mm.
- »T-wrench is must be ordered separately. (GRIP torque wrench is recommended.)
- »Coolant tube as an option.
- »All products center through coolant system.
- »Additional sizes and special designs available on request.

⚠ The minimum tool depth must be observed.



HSK-C40/C50

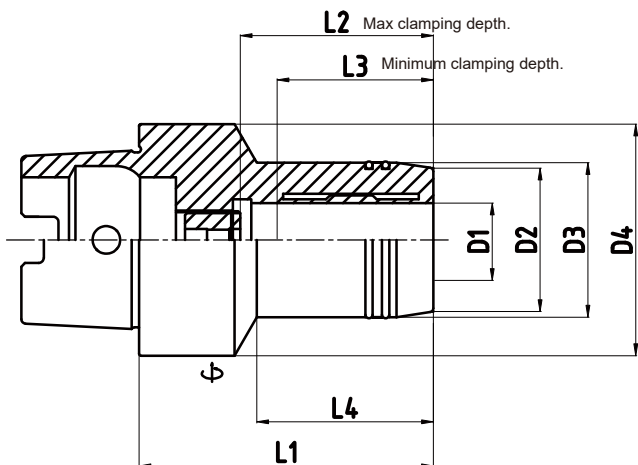
Dimensions(mm)

HSK-C63		D1	D2	D3	D4	L1	L2	L3	L4	Clamping wrench	Adjustment bolt (wrench)	Kg.
HSK-C63/GMR6/60	○	6	23	26	63	60	37.5	27.5	24	TR-4.0	M5x0.8(T-2.5)	0.9
HSK-C63/GMR8/60	○	8	25	28	63	60	37.5	27.5	24	TR-4.0	M6x1.0(T-3.0)	1.0
HSK-C63/GMR10/65	○	10	27	30	63	65	42.5	32.5	35	TR-4.0	M8x1.0(T-4.0)	1.1
HSK-C63/GMR12/75	●	12	29	32	63	75	47.5	37.5	40	TR-4.0	M10x1.0(T-5.0)	1.1
HSK-C63/GMR14/75	○	14	31	34	63	75	47.5	37.5	40	TR-4.0	M10x1.0(T-5.0)	1.2
HSK-C63/GMR16/80	○	16	35	38	63	80	52.5	42.5	46	TR-4.0	M12x1.0(T-6.0)	1.2
HSK-C63/GMR18/80	○	18	37	40	63	80	52.5	42.5	47	TR-4.0	M12x1.0(T-6.0)	1.2
HSK-C63/GMR20/80	●	20	39	42	63	80	52.5	42.5	48	TR-5.0	M16x1.0(T-6.0)	1.3
HSK-C63/GMR25/95	○	25	53	57	63	95	61	51	59	TR-5.0	M16x1.0(T-6.0)	2.0
HSK-C63/GMR32/100	○	32	58	63	63	100	65	55	-	TR-5.0	M16x1.0(T-6.0)	2.1

Availability: ● Stock ▲ Short lead time ○ Made to order

- »h6 shank tools must be used.
- »Tool length can be adjusted up to 10mm.
- »T-wrench is must be ordered separately. (GRIP torque wrench is recommended.)
- »Coolant tube as an option.
- »All products center through coolant system.
- »Additional sizes and special designs available on request.

⚠ The minimum tool depth must be observed.



HSK-C63

Dimensions(mm)

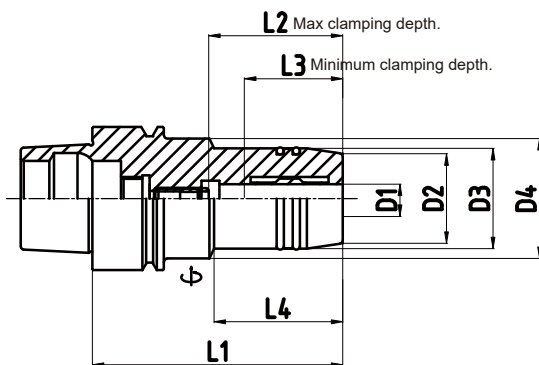
HSK-E40		D1	D2	D3	D4	L1	L2	L3	L4	Clamping wrench	Adjustment bolt (wrench)	Kg.
HSK-E40/GMR6/70	●	6	23	26	33.5	70	37.5	27.5	36	TR-4.0	M5x0.8(T-2.5)	0.5
HSK-E40/GMR8/70	●	8	25	28	33.5	70	37.5	27.5	36	TR-4.0	M6x1.0(T-3.0)	0.5
HSK-E40/GMR10/75	●	10	27	30	33.5	75	42.5	32.5	42	TR-4.0	M6x1.0(T-3.0)	0.6
HSK-E40/GMR12/80	●	12	29	32	33.5	80	47.5	37.5	48	TR-4.0	M6x1.0(T-3.0)	0.6

HSK-E50		D1	D2	D3	D4	L1	L2	L3	L4	Clamping wrench	Adjustment bolt (wrench)	Kg.
HSK-E50/GMR6/70	●	6	23	26	40	70	37.5	27.5	28	TR-4.0	M5x0.8(T-2.5)	0.8
HSK-E50/GMR8/70	●	8	25	28	40	70	37.5	27.5	28	TR-4.0	M6x1.0(T-3.0)	0.8
HSK-E50/GMR10/75	●	10	27	30	40	75	42.5	32.5	34	TR-4.0	M8x1.0(T-4.0)	0.8
HSK-E50/GMR12/85	●	12	29	32	40	85	47.5	37.5	44	TR-4.0	M10x1.0(T-5.0)	0.9
HSK-E50/GMR16/90	●	16	35	38	41.5	90	52.5	42.5	49	TR-4.0	M12x1.0(T-6.0)	1.0
HSK-E50/GMR20/90	●	20	39	41.5	41.5	90	52.5	42.5	64	TR-4.0	M12x1.0(T-6.0)	1.1

Availability: ● Stock ▲ Short lead time ○ Made to order

- »h6 shank tools must be used.
- »Tool length can be adjusted up to 10mm.
- »T-wrench is must be ordered separately.
(GRIP torque wrench is recommended.)
- »Data carrier and Coolant tube as an option.
- »All products center through coolant system.
- »Additional sizes and special designs available on request.

⚠ The minimum tool depth must be observed.



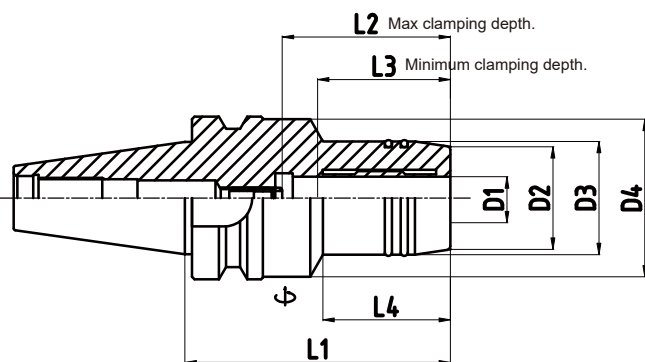
HSK-E40/E50

Dimensions(mm)

BT30		D1	D2	D3	D4	L1	L2	L3	L4	Clamping wrench	Adjustment bolt (wrench)	Kg.
BT30/GMR6/70	●	6	23	26	44.5	70	37.5	27.5	28	TR-4.0	M5x0.8(T-2.5)	0.7
BT30/GMR8/70	●	8	25	28	44.5	70	37.5	27.5	28	TR-4.0	M6x1.0(T-3.0)	0.8
BT30/GMR10/75	●	10	27	30	44.5	75	42.5	32.5	36	TR-4.0	M8x1.0(T-4.0)	0.8
BT30/GMR12/75	●	12	29	32	44.5	75	47.5	37.5	36	TR-4.0	M10x1.0(T-5.0)	0.9
BT30/GMR14/85	●	14	31	34	44.5	85	47.5	37.5	44	TR-4.0	M10x1.0(T-5.0)	0.9
BT30/GMR16/90	●	16	35	38	44.5	90	52.5	42.5	48	TR-4.0	M12x1.0(T-6.0)	1.0
BT30/GMR18/90	●	18	37	40	44.5	90	52.5	42.5	48	TR-4.0	M12x1.0(T-6.0)	1.0
BT30/GMR20/90	●	20	39	42	44.5	90	52.5	42.5	48	TR-4.0	M12x1.0(T-6.0)	1.0

Availability: ● Stock ▲ Short lead time ○ Made to order

- »h6 shank tools must be used.
 - »Tool length can be adjusted up to 10mm.
 - »T-wrench is must be ordered separately.
(GRIP torque wrench is recommended.)
 - »All products center through coolant system.
 - »Additional sizes and special designs available on request.
- ⚠ The minimum tool depth must be observed.



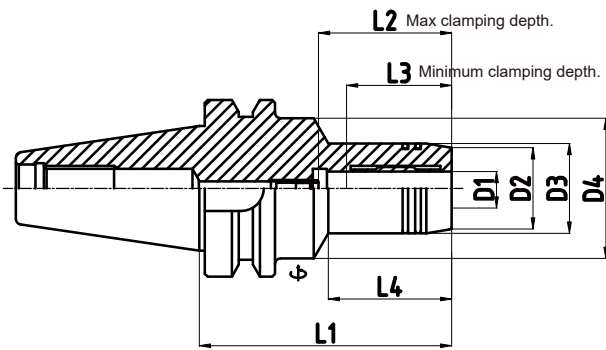
BT30

≡ Dimensions(mm)

BT40		D1	D2	D3	D4	L1	L2	L3	L4	Clamping wrench	Adjustment bolt (wrench)	Kg.
BT40/GMR6/65	●	6	23	26	50	65	37.5	27.5	23	TR-4.0	M5x0.8(T-2.5)	1.3
BT40/GMR6/90	●	6	23	26	50	90	37.5	27.5	44	TR-4.0	M5x0.8(T-2.5)	1.4
BT40/GMR6/140	●	6	23	26	50	140	37.5	27.5	44	TR-4.0	M5x0.8(T-2.5)	2.2
BT40/GMR8/65	●	8	25	28	50	65	37.5	27.5	23	TR-4.0	M6x1.0(T-3.0)	1.3
BT40/GMR8/90	●	8	25	28	50	90	37.5	27.5	44	TR-4.0	M6x1.0(T-3.0)	1.5
BT40/GMR8/140	●	8	25	28	50	140	37.5	27.5	44	TR-4.0	M6x1.0(T-3.0)	2.3
BT40/GMR10/65	●	10	27	30	50	65	42.5	32.5	23	TR-4.0	M8x1.0(T-4.0)	1.3
BT40/GMR10/90	●	10	27	30	50	90	42.5	32.5	44	TR-4.0	M8x1.0(T-4.0)	1.5
BT40/GMR10/140	●	10	27	30	50	140	42.5	32.5	44	TR-4.0	M8x1.0(T-4.0)	2.3
BT40/GMR12/65	●	12	29	32	50	65	47.5	37.5	23	TR-4.0	M10x1.0(T-5.0)	1.3
BT40/GMR12/90	●	12	29	32	50	90	47.5	37.5	44	TR-4.0	M10x1.0(T-5.0)	1.5
BT40/GMR12/140	●	12	29	32	50	140	47.5	37.5	44	TR-4.0	M10x1.0(T-5.0)	2.3
BT40/GMR14/65	●	14	31	34	50	65	47.5	37.5	23	TR-4.0	M10x1.0(T-5.0)	1.4
BT40/GMR14/90	●	14	31	34	50	90	47.5	37.5	44	TR-4.0	M10x1.0(T-5.0)	1.6
BT40/GMR14/140	●	14	31	34	50	140	47.5	37.5	44	TR-4.0	M10x1.0(T-5.0)	2.4
BT40/GMR16/65	●	16	35	38	50	65	52.5	42.5	23	TR-4.0	M12x1.0(T-6.0)	1.4
BT40/GMR16/90	●	16	35	38	50	90	52.5	42.5	48	TR-4.0	M12x1.0(T-6.0)	1.6
BT40/GMR16/140	●	16	35	38	50	140	52.5	42.5	48	TR-4.0	M12x1.0(T-6.0)	2.4
BT40/GMR18/75	●	18	37	40	50	75	52.5	42.5	30	TR-4.0	M12x1.0(T-6.0)	1.5
BT40/GMR18/90	●	18	37	40	50	90	52.5	42.5	48	TR-4.0	M12x1.0(T-6.0)	1.7
BT40/GMR18/140	●	18	37	40	50	140	52.5	42.5	48	TR-4.0	M12x1.0(T-6.0)	2.4
BT40/GMR20/75	●	20	39	42	50	75	52.5	42.5	30	TR-5.0	M16x1.0(T-6.0)	1.5
BT40/GMR20/90	●	20	39	42	50	90	52.5	42.5	48	TR-5.0	M16x1.0(T-6.0)	1.7
BT40/GMR20/140	●	20	39	42	50	140	52.5	42.5	48	TR-5.0	M16x1.0(T-6.0)	2.4
BT40/GMR25/100	●	25	53	57	-	100	61	51	-	TR-5.0	M16x1.0(T-6.0)	2.2
BT40/GMR25/135	●	25	53	57	-	135	61	51	-	TR-5.0	M16x1.0(T-6.0)	2.9
BT40/GMR32/105	●	32	58	62	-	105	65	55	-	TR-5.0	M16x1.0(T-6.0)	2.4
BT40/GMR32/135	●	32	58	62	-	135	65	55	-	TR-5.0	M16x1.0(T-6.0)	3.1

Availability: ● Stock ▲ Short lead time ○ Made to order

- »h6 shank tools must be used.
 - »Tool length can be adjusted up to 10mm.
 - »T-wrench is must be ordered separately.
(GRIP torque wrench is recommended.)
 - »All products center through coolant system.
 - »Additional sizes and special designs available on request.
- ⚠ The minimum tool depth must be observed.



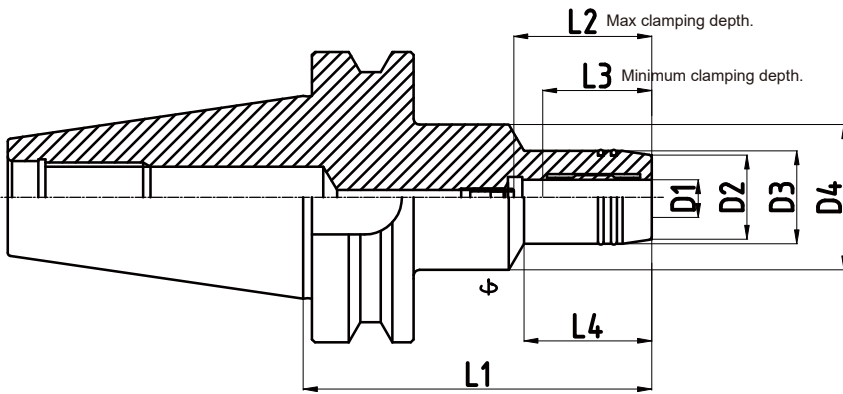
BT40

 Dimensions(mm)

BT50		D1	D2	D3	D4	L1	L2	L3	L4	Clamping wrench	Adjustment bolt (wrench)	Kg.
BT50/GMR6/90	●	6	23	26	50	90	37.5	27.5	32	TR-4.0	M5x0.8(T-2.5)	4.2
BT50/GMR6/120	●	6	23	26	50	120	37.5	27.5	44	TR-4.0	M5x0.8(T-2.5)	4.5
BT50/GMR6/140	●	6	23	26	50	140	37.5	27.5	44	TR-4.0	M5x0.8(T-2.5)	4.8
BT50/GMR8/90	●	8	25	28	50	90	37.5	27.5	32	TR-4.0	M6x1.0(T-3.0)	4.2
BT50/GMR8/120	●	8	25	28	50	120	37.5	27.5	44	TR-4.0	M6x1.0(T-3.0)	4.5
BT50/GMR8/140	●	8	25	28	50	140	37.5	27.5	44	TR-4.0	M6x1.0(T-3.0)	4.8
BT50/GMR10/90	●	10	27	30	50	90	42.5	32.5	32	TR-4.0	M8x1.0(T-4.0)	4.2
BT50/GMR10/120	●	10	27	30	50	120	42.5	32.5	44	TR-4.0	M8x1.0(T-4.0)	4.5
BT50/GMR10/140	●	10	27	30	50	140	42.5	32.5	44	TR-4.0	M8x1.0(T-4.0)	4.8
BT50/GMR12/90	●	12	29	32	50	90	47.5	37.5	32	TR-4.0	M10x1.0(T-5.0)	4.3
BT50/GMR12/120	●	12	29	32	50	120	47.5	37.5	44	TR-4.0	M10x1.0(T-5.0)	4.5
BT50/GMR12/140	●	12	29	32	50	140	47.5	37.5	44	TR-4.0	M10x1.0(T-5.0)	4.8
BT50/GMR14/90	●	14	31	34	50	90	47.5	37.5	32	TR-4.0	M10x1.0(T-5.0)	4.3
BT50/GMR14/120	●	14	31	34	50	120	47.5	37.5	44	TR-4.0	M10x1.0(T-5.0)	4.6
BT50/GMR14/140	●	14	31	34	50	140	47.5	37.5	44	TR-4.0	M10x1.0(T-5.0)	4.8
BT50/GMR16/90	●	16	35	38	50	90	52.5	42.5	32	TR-4.0	M12x1.0(T-6.0)	4.3
BT50/GMR16/120	●	16	35	38	50	120	52.5	42.5	48	TR-4.0	M12x1.0(T-6.0)	4.6
BT50/GMR16/140	●	16	35	38	50	140	52.5	42.5	48	TR-4.0	M12x1.0(T-6.0)	4.9
BT50/GMR18/90	●	18	37	40	50	90	52.5	42.5	32	TR-4.0	M12x1.0(T-6.0)	4.4
BT50/GMR18/120	●	18	37	40	50	120	52.5	42.5	48	TR-4.0	M12x1.0(T-6.0)	4.6
BT50/GMR18/140	●	18	37	40	50	140	52.5	42.5	48	TR-4.0	M12x1.0(T-6.0)	4.9
BT50/GMR20/90	●	20	39	42	50	90	52.5	42.5	32	TR-5.0	M16x1.0(T-6.0)	4.4
BT50/GMR20/120	●	20	39	42	50	120	52.5	42.5	48	TR-5.0	M16x1.0(T-6.0)	4.7
BT50/GMR20/140	●	20	39	42	50	140	52.5	42.5	48	TR-5.0	M16x1.0(T-6.0)	4.9
BT50/GMR25/105	●	25	53	57	-	105	61	51	-	TR-5.0	M16x1.0(T-6.0)	4.8
BT50/GMR25/150	●	25	53	57	-	150	61	51	-	TR-5.0	M16x1.0(T-6.0)	5.6
BT50/GMR32/115	●	32	58	62	-	115	65	55	-	TR-5.0	M16x1.0(T-6.0)	5.1
BT50/GMR32/150	●	32	58	62	-	150	65	55	-	TR-5.0	M16x1.0(T-6.0)	5.8

Availability: ● Stock ▲ Short lead time ○ Made to order

- »h6 shank tools must be used.
 - »Tool length can be adjusted up to 10mm.
 - »T-wrench is must be ordered separately.
(GRIP torque wrench is recommended.)
 - »All products center through coolant system.
 - »Additional sizes and special designs available on request.
- ⚠ The minimum tool depth must be observed.



BT50

≡ Dimensions(mm)

SK40		D1	D2	D3	D4	L1	L2	L3	L4	Clamping wrench	Adjustment bolt (wrench)	Kg.
SK40/GMR6/80.5	●	6	23	26	50	80.5	37.5	27.5	44	TR-4.0	M5x0.8(T-2.5)	1.3
SK40/GMR6/110	●	6	23	26	50	110	37.5	27.5	44	TR-4.0	M5x0.8(T-2.5)	1.7
SK40/GMR8/80.5	●	8	25	28	50	80.5	37.5	27.5	44	TR-4.0	M6x1.0(T-3.0)	1.3
SK40/GMR8/110	●	8	25	28	50	110	37.5	27.5	44	TR-4.0	M6x1.0(T-3.0)	1.7
SK40/GMR10/80.5	●	10	27	30	50	80.5	42.5	32.5	44	TR-4.0	M8x1.0(T-4.0)	1.3
SK40/GMR10/110	●	10	27	30	50	110	42.5	32.5	44	TR-4.0	M8x1.0(T-4.0)	1.8
SK40/GMR12/80.5	●	12	29	32	50	80.5	47.5	37.5	44	TR-4.0	M10x1.0(T-5.0)	1.3
SK40/GMR12/110	●	12	29	32	50	110	47.5	37.5	44	TR-4.0	M10x1.0(T-5.0)	1.8
SK40/GMR14/80.5	●	14	31	34	50	80.5	47.5	37.5	44	TR-4.0	M10x1.0(T-5.0)	1.3
SK40/GMR14/110	●	14	31	34	50	110	47.5	37.5	44	TR-4.0	M10x1.0(T-5.0)	1.8
SK40/GMR16/80.5	●	16	35	38	50	80.5	52.5	42.5	48	TR-4.0	M12x1.0(T-6.0)	1.4
SK40/GMR16/110	●	16	35	38	50	110	52.5	42.5	48	TR-4.0	M12x1.0(T-6.0)	1.9
SK40/GMR18/80.5	●	18	37	40	50	80.5	52.5	42.5	48	TR-4.0	M12x1.0(T-6.0)	1.4
SK40/GMR18/110	●	18	37	40	50	110	52.5	42.5	48	TR-4.0	M12x1.0(T-6.0)	1.9
SK40/GMR20/80.5	●	20	39	42	50	80.5	52.5	42.5	48	TR-5.0	M16x1.0(T-6.0)	1.4
SK40/GMR20/110	●	20	39	42	50	110	52.5	42.5	48	TR-5.0	M16x1.0(T-6.0)	2.0
SK40/GMR25/80.5	●	25	51	55	66	80.5	61	51	26	TR-5.0	M16x1.0(T-6.0)	1.8
SK40/GMR32/80.5	●	32	58	62	80	80.5	65	55	26	TR-5.0	M16x1.0(T-6.0)	2.2

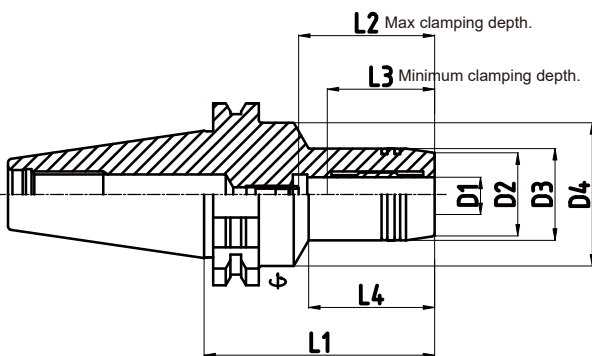
Availability: ● Stock ▲ Short lead time ○ Made to order

Dimensions(mm)

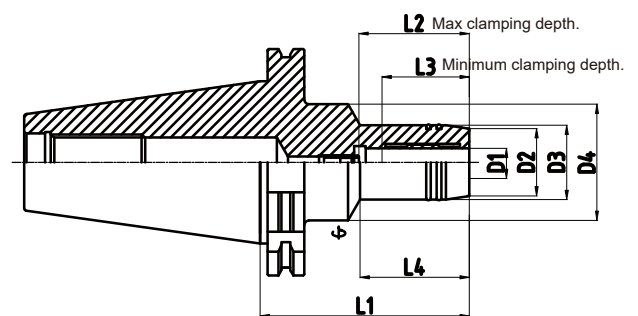
SK50		D1	D2	D3	D4	L1	L2	L3	L4	Clamping wrench	Adjustment bolt (wrench)	Kg.
SK50/GMR12/90	●	12	29	32	50	90	47.5	37.5	47	TR-4.0	M6x1.0(T-3.0)	3.4
SK50/GMR12/140	●	12	29	32	50	140	47.5	37.5	47	TR-4.0	M6x1.0(T-3.0)	4.1
SK50/GMR20/90	●	20	39	42	50	90	52.5	42.5	48	TR-5.0	M16x1.0(T-6.0)	3.5
SK50/GMR20/140	●	20	39	42	50	140	52.5	42.5	48	TR-5.0	M16x1.0(T-6.0)	4.2
SK50/GMR32/115	●	32	58	63	-	115	65	55	-	TR-5.0	M16x1.0(T-6.0)	4.9
SK50/GMR32/140	●	32	58	63	-	140	65	55	-	TR-5.0	M16x1.0(T-6.0)	5.5

Availability: ● Stock ▲ Short lead time ○ Made to order

- »h6 shank tools must be used.
 - »Tool length can be adjusted up to 10mm.
 - »T-wrench is must be ordered separately.
(GRIP torque wrench is recommended.)
 - »All products center through coolant system.
 - »Additional sizes and special designs available on request.
- ⚠ The minimum tool depth must be observed.



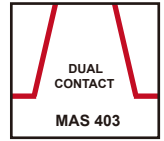
SK40



SK50

Dual Contact Type

BT-DC type holder can be used for BT double contact spindle and also used for BT standard spindle.



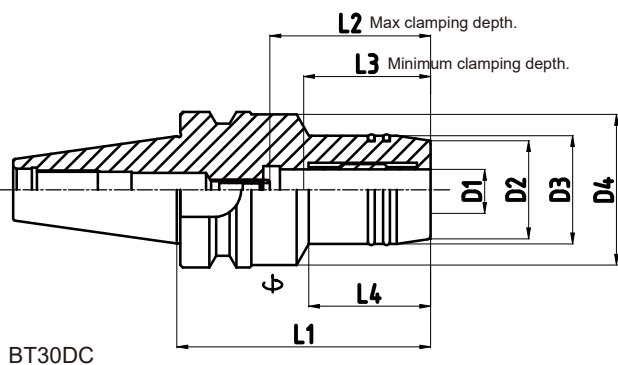
Dimensions(mm)

BT30DC		D1	D2	D3	D4	L1	L2	L3	L4	Clamping wrench	Adjustment bolt (wrench)	Kg.
BT30DC/GMR6/70	●	6	23	26	44.5	70	37.5	27.5	28	TR-4.0	M5x0.8(T-2.5)	0.7
BT30DC/GMR8/70	●	8	25	28	44.5	70	37.5	27.5	28	TR-4.0	M6x1.0(T-3.0)	0.8
BT30DC/GMR10/75	●	10	27	30	44.5	75	42.5	32.5	36	TR-4.0	M8x1.0(T-4.0)	0.8
BT30DC/GMR12/75	●	12	29	32	44.5	75	47.5	37.5	36	TR-4.0	M10x1.0(T-5.0)	0.9
BT30DC/GMR14/85	●	14	31	34	44.5	85	47.5	37.5	44	TR-4.0	M10x1.0(T-5.0)	0.9
BT30DC/GMR16/90	●	16	35	38	44.5	90	52.5	42.5	48	TR-4.0	M12x1.0(T-6.0)	1.0
BT30DC/GMR18/90	●	18	37	40	44.5	90	52.5	42.5	48	TR-4.0	M12x1.0(T-6.0)	1.0
BT30DC/GMR20/90	●	20	39	42	44.5	90	52.5	42.5	48	TR-4.0	M12x1.0(T-6.0)	1.1

Availability: ● Stock ▲ Short lead time ○ Made to order

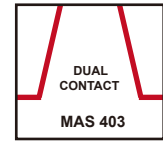
- »h6 shank tools must be used.
- »Tool length can be adjusted up to 10mm.
- »T-wrench is must be ordered separately.
(GRIP torque wrench is recommended.)
- »All products center through coolant system.
- »Additional sizes and special designs available on request.
- »BT-DC type holder can be used for BT double contact spindle and also used for BT standard spindle.

⚠ The minimum tool depth must be observed.



BT30DC

BT-DC type holder can be used for BT double contact spindle and also used for BT standard spindle.



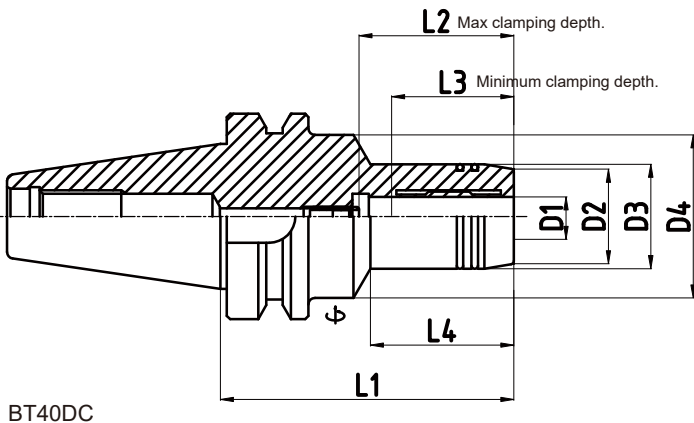
Dimensions(mm)

BT40DC		D1	D2	D3	D4	L1	L2	L3	L4	Clamping wrench	Adjustment bolt (wrench)	Kg.
BT40DC/GMR6/90	●	6	23	26	50	90	37.5	27.5	44	TR-4.0	M5x0.8(T-2.5)	1.5
BT40DC/GMR8/90	●	8	25	28	50	90	37.5	27.5	44	TR-4.0	M6x1.0(T-3.0)	1.5
BT40DC/GMR10/90	●	10	27	30	50	90	42.5	32.5	44	TR-4.0	M8x1.0(T-4.0)	1.5
BT40DC/GMR12/90	●	12	29	32	50	90	47.5	37.5	44	TR-4.0	M10x1.0(T-5.0)	1.5
BT40DC/GMR14/90	●	14	31	34	50	90	47.5	37.5	44	TR-4.0	M10x1.0(T-5.0)	1.6
BT40DC/GMR16/90	●	16	35	38	50	90	52.5	42.5	48	TR-4.0	M12x1.0(T-6.0)	1.6
BT40DC/GMR18/90	●	18	37	40	50	90	52.5	42.5	48	TR-4.0	M12x1.0(T-6.0)	1.6
BT40DC/GMR20/90	●	20	39	42	50	90	52.5	42.5	48	TR-5.0	M16x1.0(T-6.0)	1.6
BT40DC/GMR25/100	●	25	53	57	-	100	61	51	-	TR-5.0	M16x1.0(T-6.0)	2.2
BT40DC/GMR32/105	●	32	58	63	-	105	65	55	-	TR-5.0	M16x1.0(T-6.0)	2.4

Availability: ● Stock ▲ Short lead time ○ Made to order

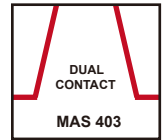
- »h6 shank tools must be used.
- »Tool length can be adjusted up to 10mm.
- »T-wrench is must be ordered separately. (GRIP torque wrench is recommended.)
- »All products center through coolant system.
- »Additional sizes and special designs available on request.
- »BT-DC type holder can be used for BT double contact spindle and also used for BT standard spindle.

⚠ The minimum tool depth must be observed.



BT40DC

Dual Contact Type



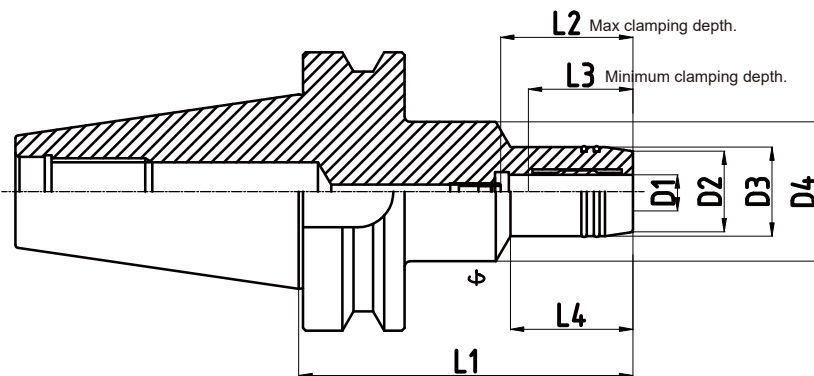
BT-DC type holder can be used for BT double contact spindle and also used for BT standard spindle.

Dimensions(mm)

BT50DC		D1	D2	D3	D4	L1	L2	L3	L4	Clamping wrench	Adjustment bolt (wrench)	Kg.
BT50DC/GMR6/90	●	6	23	26	50	90	37.5	27.5	32	TR-4.0	M5x0.8(T-2.5)	4.2
BT50DC/GMR6/140	●	6	23	26	50	140	37.5	27.5	44	TR-4.0	M5x0.8(T-2.5)	4.8
BT50DC/GMR8/90	●	8	25	28	50	90	37.5	27.5	32	TR-4.0	M6x1.0(T-3.0)	4.2
BT50DC/GMR8/140	●	8	25	28	50	140	37.5	27.5	44	TR-4.0	M6x1.0(T-3.0)	4.8
BT50DC/GMR10/90	●	10	27	30	50	90	42.5	32.5	32	TR-4.0	M8x1.0(T-4.0)	4.3
BT50DC/GMR10/140	●	10	27	30	50	140	42.5	32.5	44	TR-4.0	M8x1.0(T-4.0)	4.9
BT50DC/GMR12/90	●	12	29	32	50	90	47.5	37.5	32	TR-4.0	M10x1.0(T-5.0)	4.3
BT50DC/GMR12/140	●	12	29	32	50	140	47.5	37.5	44	TR-4.0	M10x1.0(T-5.0)	4.9
BT50DC/GMR14/90	●	14	31	34	50	90	47.5	37.5	32	TR-4.0	M10x1.0(T-5.0)	4.3
BT50DC/GMR14/140	●	14	31	34	50	140	47.5	37.5	44	TR-4.0	M10x1.0(T-5.0)	4.9
BT50DC/GMR16/90	●	16	35	38	50	90	52.5	42.5	32	TR-4.0	M12x1.0(T-6.0)	4.4
BT50DC/GMR16/140	●	16	35	38	50	140	52.5	42.5	48	TR-4.0	M12x1.0(T-6.0)	5.0
BT50DC/GMR18/90	●	18	37	40	50	90	52.5	42.5	32	TR-4.0	M12x1.0(T-6.0)	4.4
BT50DC/GMR18/140	●	18	37	40	50	140	52.5	42.5	48	TR-4.0	M12x1.0(T-6.0)	5.0
BT50DC/GMR20/90	●	20	39	42	50	90	52.5	42.5	32	TR-5.0	M16x1.0(T-6.0)	4.4
BT50DC/GMR20/140	●	20	39	42	50	140	52.5	42.5	48	TR-5.0	M16x1.0(T-6.0)	5.0
BT50DC/GMR25/105	●	25	53	57	-	105	61	51	-	TR-5.0	M16x1.0(T-6.0)	4.9
BT50DC/GMR25/150	●	25	53	57	-	150	61	51	-	TR-5.0	M16x1.0(T-6.0)	5.5
BT50DC/GMR32/115	●	32	58	63	-	115	65	55	-	TR-5.0	M16x1.0(T-6.0)	5.1
BT50DC/GMR32/150	●	32	58	63	-	150	65	55	-	TR-5.0	M16x1.0(T-6.0)	5.9

Availability: ● Stock ▲ Short lead time ○ Made to order

- »h6 shank tools must be used.
 - »Tool length can be adjusted up to 10mm.
 - »T-wrench is must be ordered separately.
(GRIP torque wrench is recommended.)
 - »All products center through coolant system.
 - »Additional sizes and special designs available on request.
 - »BT-DC type holder can be used for BT double contact spindle
and also used for BT standard spindle.
- ⚠ The minimum tool depth must be observed.



BT50DC

Inch size

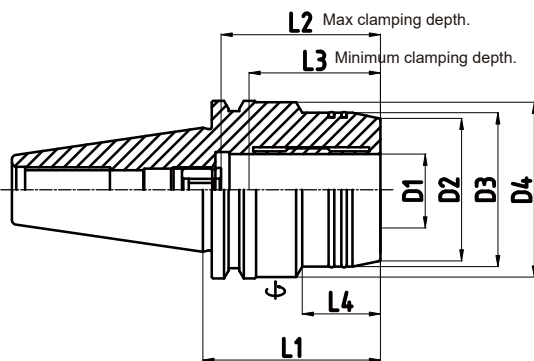
≡ Dimensions(mm)

CAT40		D1	D2	D3	D4	L1	L2	L3	L4	Clamping wrench	Adjustment bolt (wrench)	Kg.
CAT40/GMR037/0250	●	9.525	27.3	40	-	63.5	42.5	32.5	44.45	TR-4.0	M8x1.0(T-4.0)	1.3
CAT40/GMR050/0254	●	12.7	32	42	-	64.5	46	36	45.45	TR-4.0	M8x1.0(T-4.0)	1.3
CAT40/GMR062/0250	●	15.875	34.6	44.5	-	63.5	52.5	42.5	44.45	TR-4.0	M12x1.0(T-6.0)	1.3
CAT40/GMR075/0254	●	19.05	38	49.25	-	64.5	51	41	45.45	TR-5.0	M8x1.0(T-4.0)	1.4
CAT40/GMR100/0250	●	25.4	51	55	62.5	63.5	57	47	28	TR-5.0	M16x1.0(T-6.0)	1.5
CAT40/GMR125/0400	●	31.75	58	62	-	101.6	61	51	82.55	TR-5.0	M16x1.0(T-6.0)	2.3

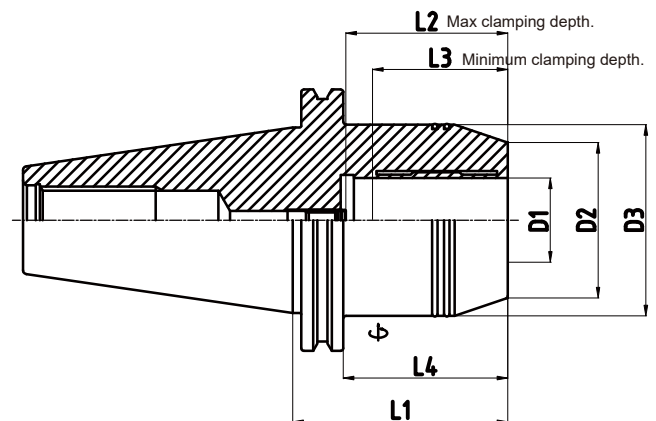
CAT50		D1	D2	D3	D4	L1	L2	L3	L4	Clamping wrench	Adjustment bolt (wrench)	Kg.
CAT50/GMR075/0319	●	19.05	38	49.25	-	81	51	41	61.95	TR-5.0	M8x1.0(T-4.0)	3.5
CAT50/GMR125/0319	●	31.75	58.5	72	-	81	61	51	61.95	TR-5.0	M8x1.0(T-4.0)	4.2

Availability: ● Stock ▲ Short lead time ○ Made to order

- »h6 shank tools must be used.
 - »Tool length can be adjusted up to 10mm.
 - »T-wrench is must be ordered separately. (GRIP torque wrench is recommended.)
 - »All products center through coolant system.
 - »Additional sizes and special designs available on request.
- ⚠ The minimum tool depth must be observed.



CAT40



CAT50

HSK-A | DIN 69893 | ISO 12164

CAT | ANSI B5,50



MICRON

Inch size

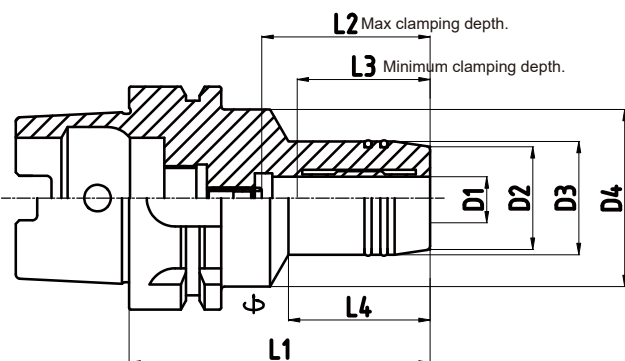
≡ Dimensions(mm)

HSK-A63		D1	D2	D3	D4	L1	L2	L3	L4	Clamping wrench	Adjustment bolt (wrench)	Kg.
HSK-A63/GMR050/0315	●	12.7	32	42	52.5	80	46	36	34	TR-4.0	M8x1.0(T-4.0)	1.3
HSK-A63/GMR075/0315	●	19.05	38	52.5	-	80	51	41	54	TR-5.0	M8x1.0(T-4.0)	1.4

Availability: ● Stock ▲ Short lead time ○ Made to order

- »h6 shank tools must be used.
- »Tool length can be adjusted up to 10mm.
- »T-wrench is must be ordered separately.
(GRIP torque wrench is recommended.)
- »Data carrier and Coolant tube as an option.
- »All products center through coolant system.
- »Additional sizes and special designs available on request.

⚠ The minimum tool depth must be observed.



HSK-A63